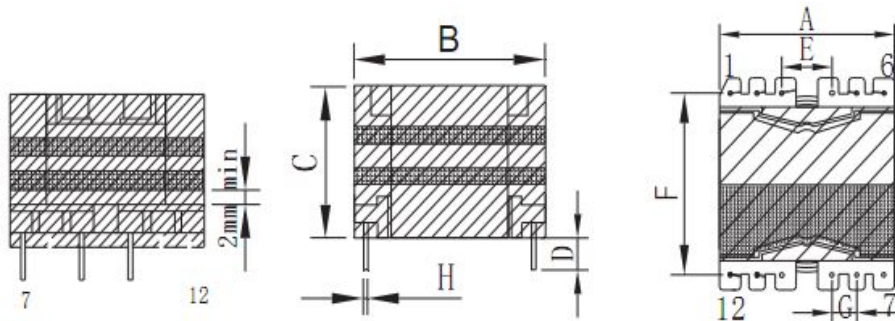


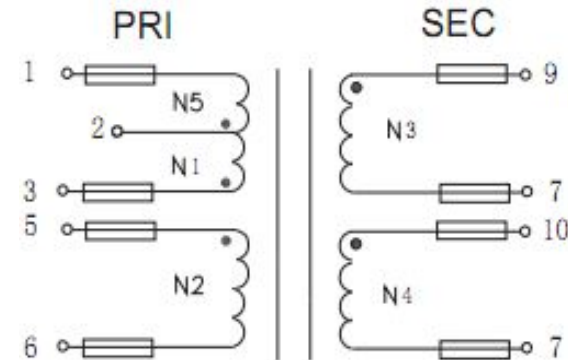
CUSTOMER TERMINAL	ROHS	Lead(Pb)-free
	YES	YES

1. Mechanical Dimensions



A	30.5	MAX
B	30.5	MAX
C	23.5	MAX
D	3.5	±0.5
E	7.6	±0.3
F	25.4	±0.4
G	3.8	±0.3
H	0.60	±0.1

2. Schematic Diagram



3. Material List

Core:FW95 PQ2620

Bobbin:FWB2601(6+6PIN)

Wire:2UEW TIW

Copper foil: 0.025t*8.0mm

Operating Temperature: -30 to115 °C

4. Electrical Specification

Inductance: L(1-3):1.8mH±5% 40KHZ , 1V

Leakage Inductance : 30uH MAX 40KHZ , 1V

DCR:(1-3)=1.3ΩMAX (7-9)=0.5ΩMAX

Hi-Pot:P-S: AC 60Hz 4000V 1.0mA 3S

P-CORE:AC 60Hz 500V 1.0mA 3S

REV.	DATE	<p>Convention Placement</p>	DRW.		Drawing Title:	Part No:
0	00/00		CHK.			
ROHS			www.ferriwo.com	APP.		Customer P/N